

SPEAKER MICROPHONE

KMC-17

SERVICE MANUAL

REVISED

KENWOOD

Kenwood Corporation

© 2008-5 PRINTED IN JAPAN
B51-8833-10 (N) 654

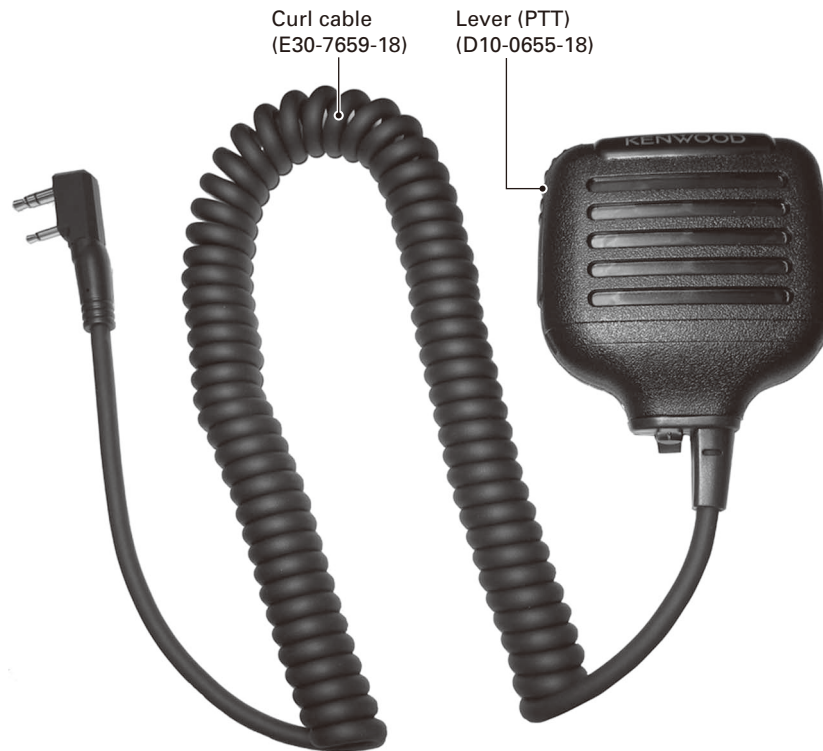


Photo is KMC-17 (Type B).

KMC-17

Document Copyrights

Copyright 2008 by Kenwood Corporation. All rights reserved.

No part of this manual may be reproduced, translated, distributed, or transmitted in any form or by any means, electronic, mechanical, photocopying, recording, or otherwise, for any purpose without the prior written permission of Kenwood.

Disclaimer

While every precaution has been taken in the preparation of this manual, Kenwood assumes no responsibility for errors or omissions. Neither is any liability assumed for damages resulting from the use of the information contained herein. Kenwood reserves the right to make changes to any products herein at any time for improvement purposes.

HOW TO DISTINGUISH BETWEEN DIFFERENT VERSIONS OF THE KMC-17

There are two versions of the KMC-17; one uses Type A and the other uses Type B. The components of each of these parts are not compatible with each other.

An external part of Type A and Type B for the KMC-17 is different, allowing you to distinguish between them, as described below.

● KMC-17 (Type A)

The cap is attached on the upper part of the case.



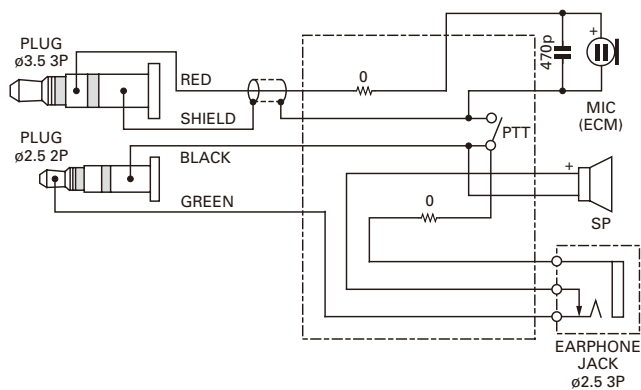
● KMC-17 (Type B)

The cap is not attached on the upper part of the case.

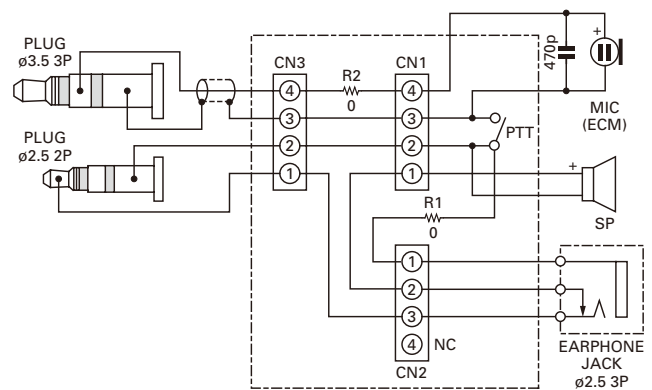


SCHEMATIC DIAGRAM

● KMC-17 (Type A)



● KMC-17 (Type B)



PARTS LIST

● KMC-17 (Type A)

Ref. No.	Address	New parts	Parts No.	Description	Destination
KMC-17					
			A02-0907-08 A02-0908-08	PLASTIC CABINET (FRONT) PLASTIC CABINET (REAR)	
			B09-0316-08	CAP	
			D10-0606-08	LEVER (PTT)	
			E11-0421-15 E30-7504-18	2.5D PHONE JACK (3P) CURL CABLE	
			F07-0889-08	COVER (PTT)	
			G53-0569-08	PACKING	
			J29-0440-18 J39-0601-08	CLIP ASSY SPACER	
			N46-2605-60 N46-3016-60 N80-2005-41	PAN HEAD TAPPING SCREW (CLIP ASSY) PAN HEAD TAPPING SCREW (CASE) PAN HEAD TAPTITE SCREW(MIC UNIT)	
			S50-1415-05	TACT SWITCH (PTT)	
			T07-0290-15 T91-0534-18	SPEAKER MIC ELEMENT	

● KMC-17 (Type B)

Ref. No.	Address	New parts	Parts No.	Description	Destination
KMC-17					
		*	A02-4047-08 A02-4036-08	PLASTIC CABINET ASSY (FRONT) PLASTIC CABINET (REAR)	
		*	B42-7373-08	STICKER (WEEE, KMC-17)	
		*	D10-0655-18	LEVER (PTT)	
		*	E11-0713-08 E30-7659-18	2.5D PHONE JACK (3P) CURL CABLE	
		*	F07-1938-08	COVER (PTT)	
		*	G13-2251-08 G53-0834-08 G53-1790-08 G53-1791-08	CUSHION (ECM) PACKING (SP) PACKING (LONG) PACKING (SHORT)	
			J19-5326-08 J29-0644-08	HOLDER (ECM) CLIP ASSY	
			N46-2605-60 N46-3016-60 N80-2005-43 N80-2608-43	PAN HEAD TAPPING SCREW (CLIP ASSY) PAN HEAD TAPPING SCREW (CASE) PAN HEAD TAPTITE SCREW (PCB) PAN HEAD TAPTITE SCREW (CURL CABLE)	
			S70-0444-08	TACT SWITCH (PTT)	
		*	T07-0782-08 T91-0584-08	SPEAKER MIC ELEMENT	

KMC-17

SPECIFICATIONS

● KMC-17 (Type A/Type B)

Microphone

Impedance 2.2k Ω (MAX)
Sensitivity.....-46dB \pm 3dB at 1kHz

Speaker

Impedance 10 Ω \pm 30% at 1kHz
Rating input..... 1W
Maximum input..... 1.4W

Dimensions (W x H x D) 64.5 x 66 x 36 mm (2.54" x 2.60" x 1.42")

Weight.....Approx. 170g/6.0oz

Kenwood Corporation

2967-3, Ishikawa-machi, Hachioji-shi, Tokyo, 192-8525 Japan

Kenwood U.S.A. Corporation

P.O. BOX 22745, 2201 East Dominguez Street, Long Beach,
CA 90801-5745, U.S.A.

Kenwood Electronics Canada Inc.

6070 Kestrel Road, Mississauga, Ontario, Canada L5T 1S8

Kenwood Electronics Deutschland GmbH

Rembrücker Str. 15, 63150 Heusenstamm, Germany

Kenwood Electronics Belgium N.V.

Leuvensesteenweg 248 J, 1800 Vilvoorde, Belgium

Kenwood Electronics France S.A.

L'Etoile Paris Nord 2, 50 Allée des Impressionnistes,
Bp 58416 Villepinte, 95944 Roissy Ch De Gaulle Cedex

Kenwood Electronics UK Limited

KENWOOD House, Dwight Road, Watford, Herts.,
WD18 9EB United Kingdom

Kenwood Electronics Europe B.V.

Amsterdamseweg 37, 1422 AC Uithoorn, The Netherlands

Kenwood Electronics Italia S.p.A.

Via G. Sirtori, 7/9 20129 Milano, Italy

Kenwood Ibérica, S.A.

Bolivia, 239-08020 Barcelona, Spain

Kenwood Electronics Australia Pty. Ltd.

(A.C.N. 001 499 074)

16 Giffnock Avenue, Centrecourt Estate, North Ryde, N.S.W. 2113 Australia

Kenwood Electronics (Hong Kong) Ltd.

Unit 3712-3724, Level 37, Tower one Metroplaza, 223 Hing Fong Road,
Kwai Fong, N.T., Hong Kong

Kenwood Electronics Singapore Pte Ltd

1 Ang Mo Kio Street 63, Singapore 569110

